



# NU-KOOL T-P



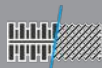
## NU-KOOL T-P



Radiant Heat Protection



Reflective Sleeving & Heat Shield



Tubular braided sleeve + Aluminized foil



Polyester mono/multifilament  
Aluminized foil



Standard: Silver



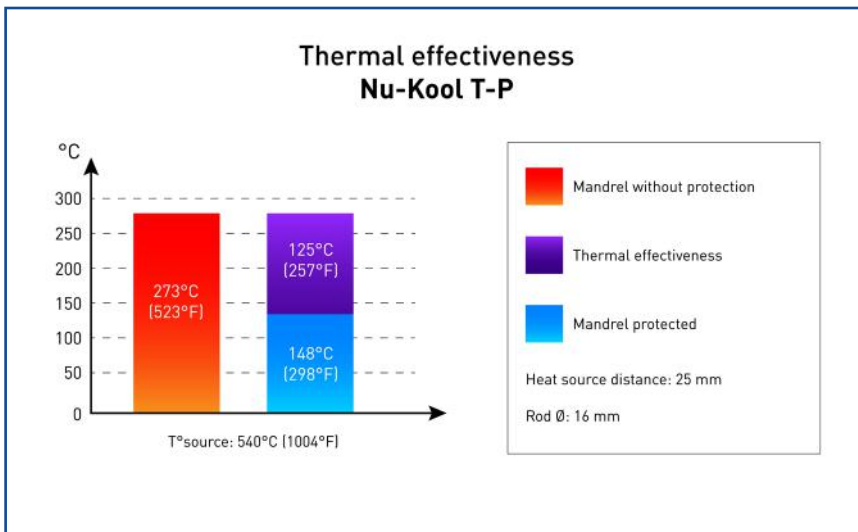
Low: -40°C (-40°F)  
High: 150°C (302°F)



No cracking on tight bend

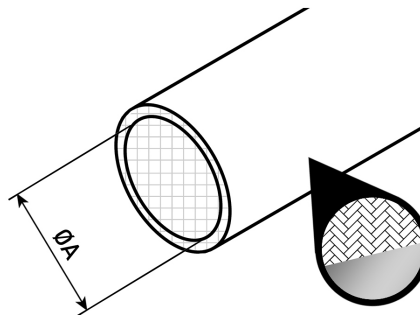
## PHYSICAL PROPERTIES

Physical properties	Spec	Value
Thermal effectiveness	SAE J2302	see graph
Long term aging (3000h/150°C)	-	pass
Short term aging (240h/175°C)	-	pass
Heat aging (6h/200°C)	-	pass
Flammability	FMVSS 302 SAE J369	self-extinguishing
Chemical resistance	Resists the majority of chemicals and automotive fluids	



## DIMENSIONS

Designation	Nominal A Ø (mm)
NU-KOOL T-P 08	8
NU-KOOL T-P 10	10
NU-KOOL T-P 13	13
NU-KOOL T-P 16	16
NU-KOOL T-P 19	19
NU-KOOL T-P 22	22
NU-KOOL T-P 25	25
NU-KOOL T-P 29	29
NU-KOOL T-P 32	32



## PACKAGING

Coils  
Cut lengths upon request